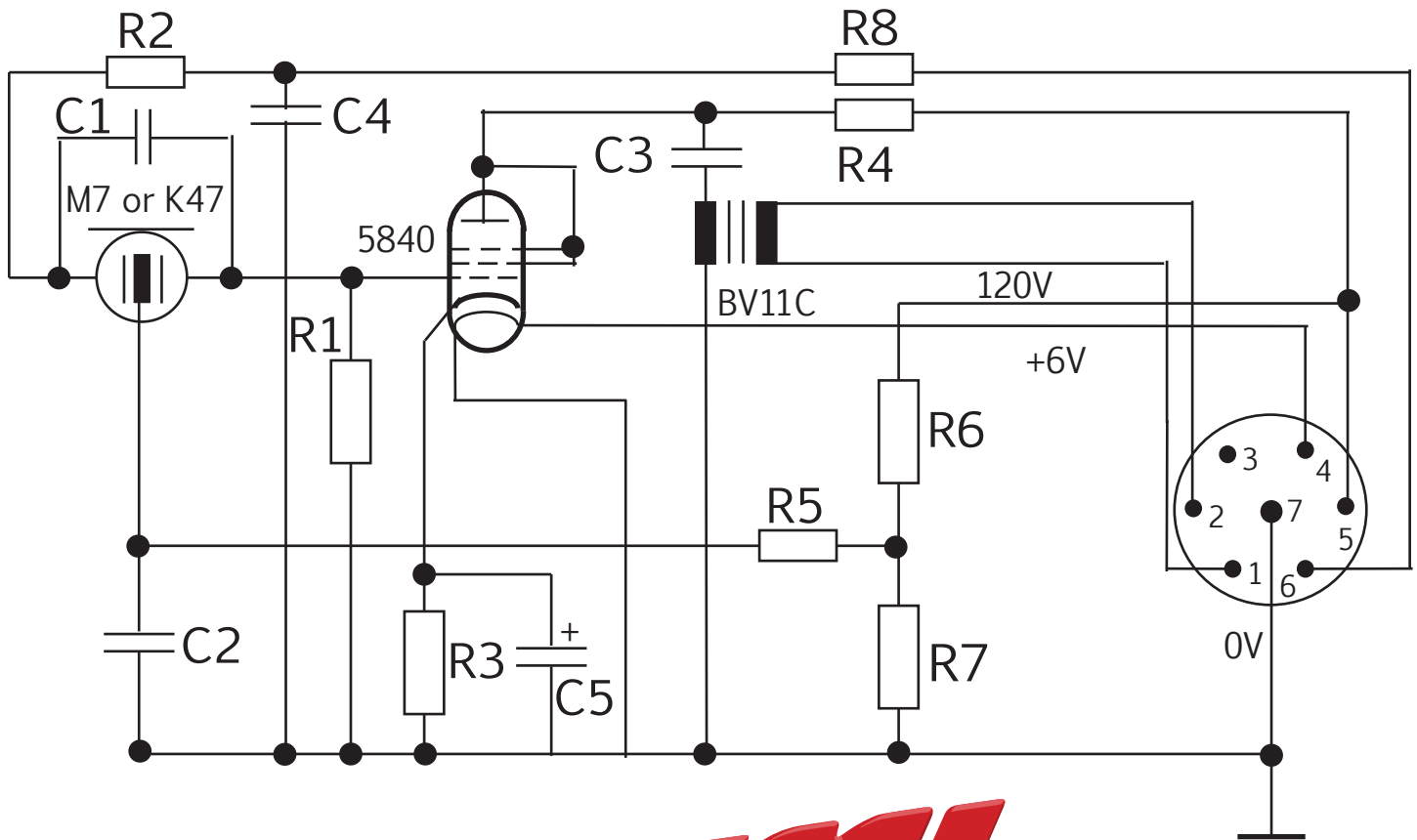


Oliver Archut M49 Alternative Schematic

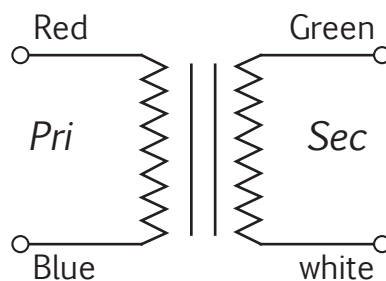
5840, B11 Classic and AMI K47 capsule



Component List

R1	100M
R2	100M
R3	2.2 K
R4	100K
R5	100M
R6	1M
R7	1M
R8	100 M
C1	1000pF 250V
C2	10nF 250V
C3	1uF 250V
C4	10nF 250V
C5	22uF 25V

BV11classic



Digital Design: Alina Troska-Archut

Copyright Information

Page layout and circuit design are copyright 2000-2014 AM Inc. All Rights Reserved. Please do not publish, reproduce or distribute this schematic without this copyright information attached. AM Inc., reserves the right to fix mistakes or make any updates to this layout at its discretion.

AM Inc.,
506 2nd Street
Gaylord, KS 67638
USA

www.tab-funkenwerk.com